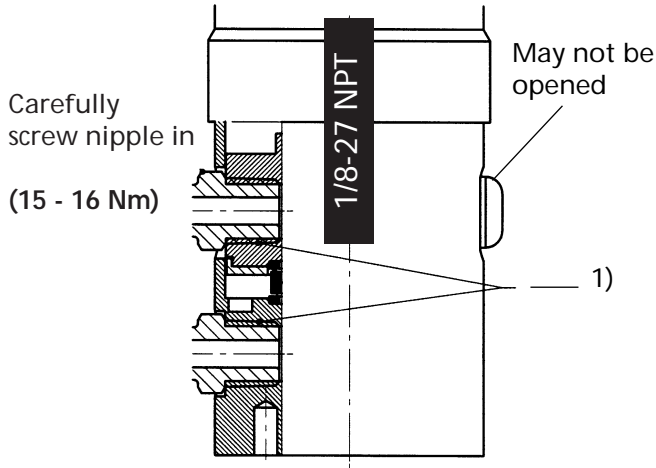


Connection nipples (fitted by customer)

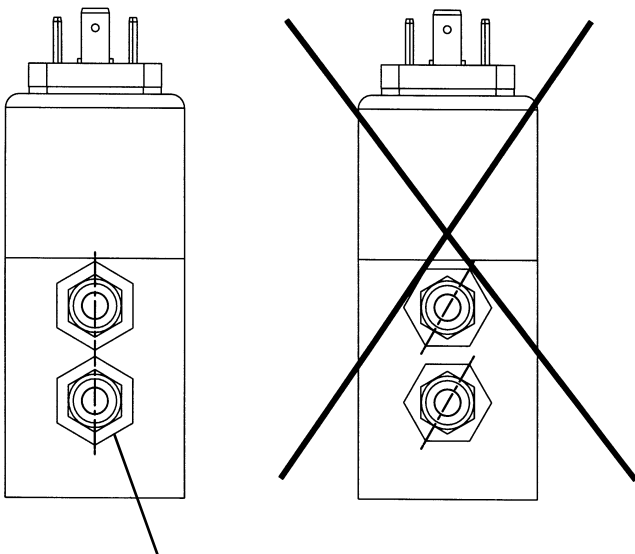
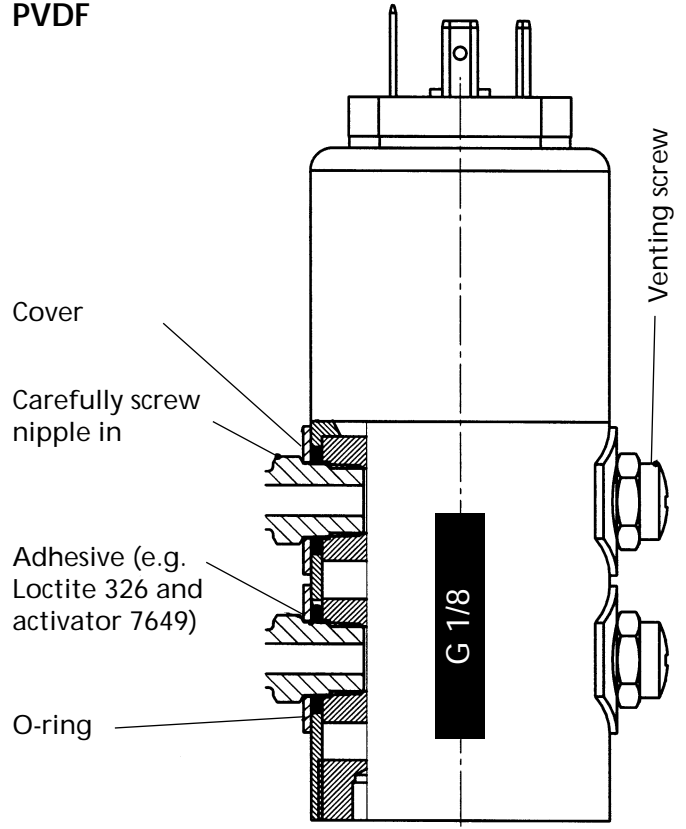
Inox



1) Sealing compound standard (e.g. Loctite 326, activator 7649) Sealing compound for sealing material CR (e.g. Leak Lock)

Recalibrate zero-point after fitting nipples.

PVDF



Do not twist cover.
Tighten with care.

Fitting the connecting tubes.
Hold steady to avoid twisting.

